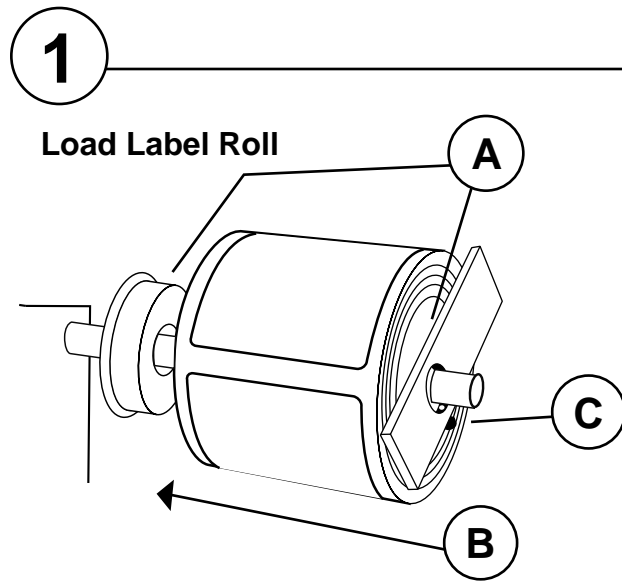
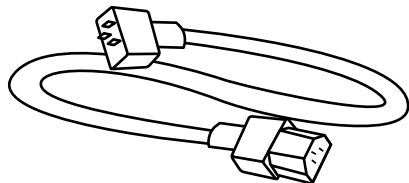
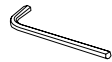
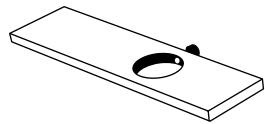
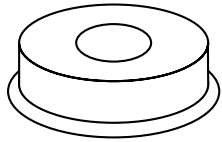
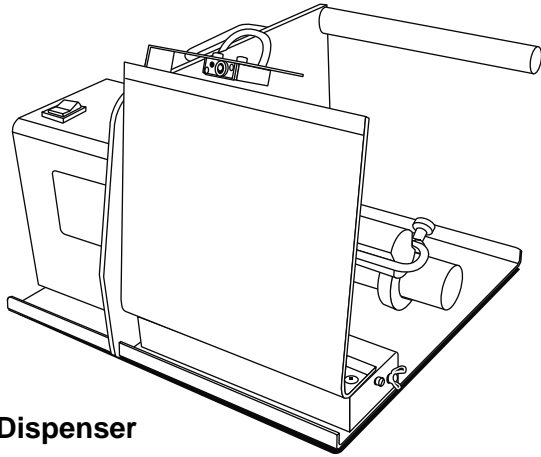


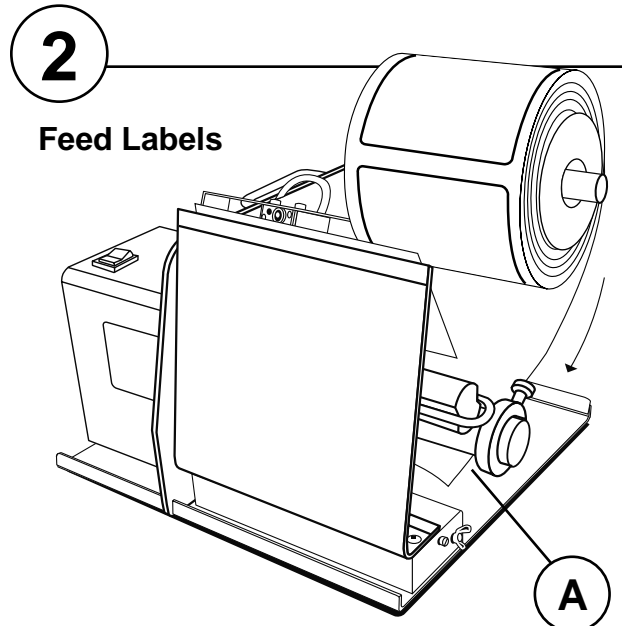
LD5500, LD7500

Electric Label Dispenser

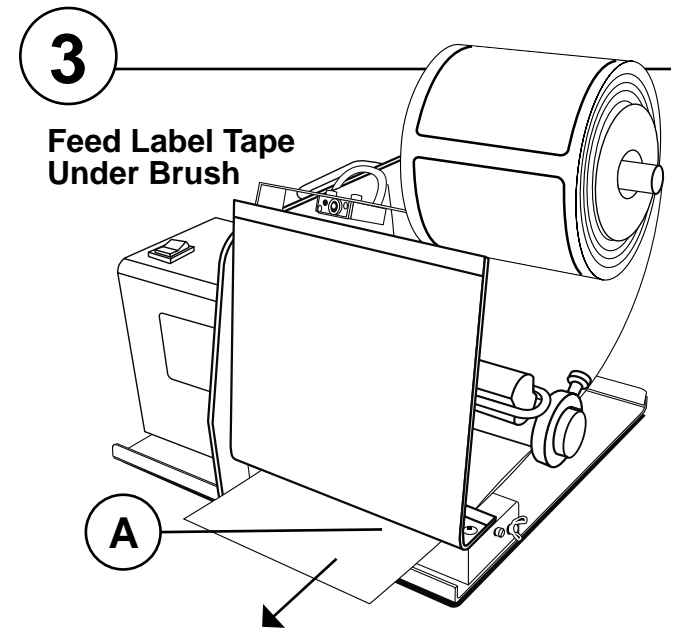
ITEMS INCLUDED



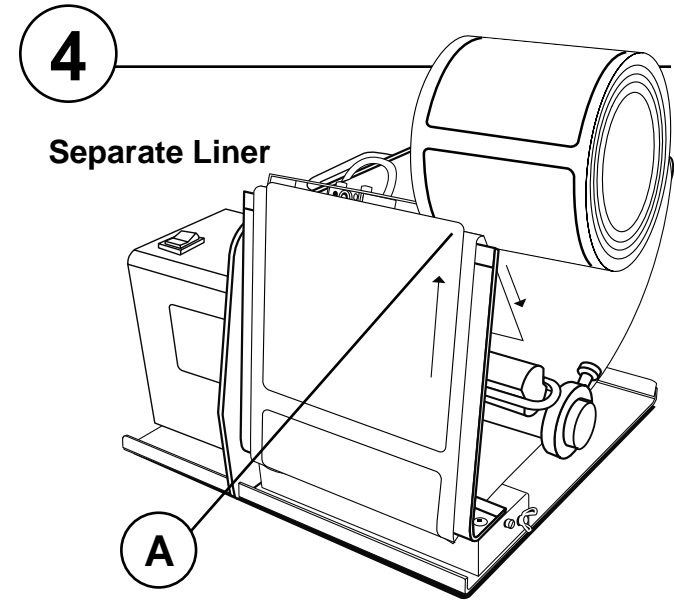
A: Insert core holders (2) into each side of your label roll
B: Slide loaded roll onto the reel hanger bar
C: Slide material guide onto reel hanger bar, tighten lightly using tension screw



A: Pull label liner under guide bar between guide rings



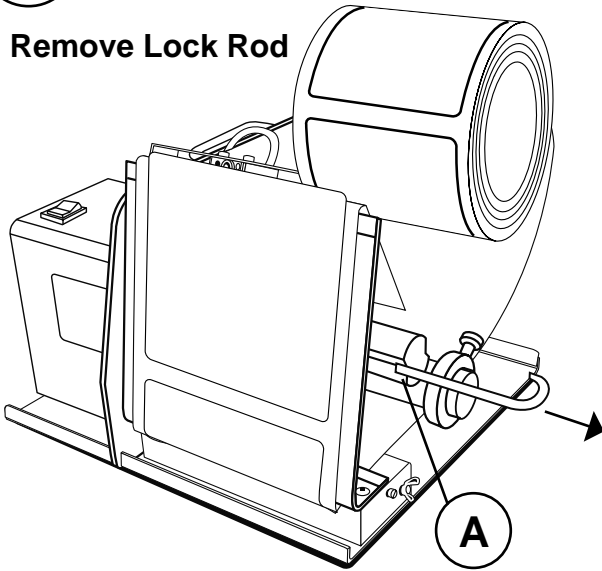
A: Feed label liner in between brushes and strip plate



A: Pull label liner over strip plate separating liner from label

5

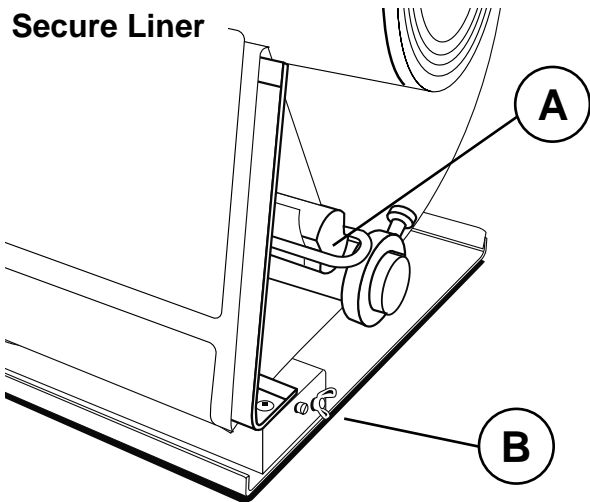
Remove Lock Rod



A: Slide lock rod off of take-up hub

6

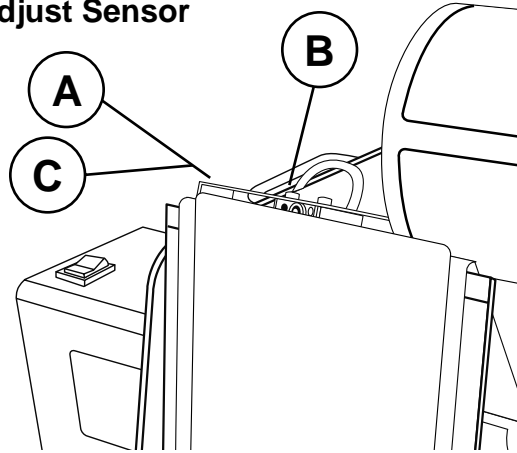
Secure Liner



A: Slide lock rod back onto take-up hub to secure liner
B: Adjust / lower wingscrew to create tension on label liner

7

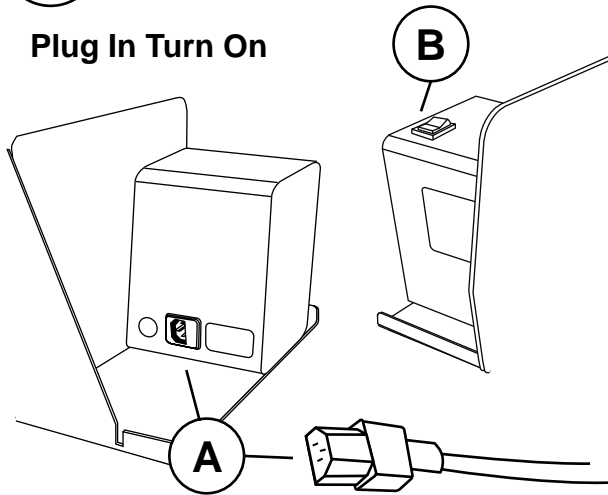
Adjust Sensor



A: Loosen wingscrew (on side) to adjust sensor plate
B: Point sensor towards edge of label
C: Tighten wingscrew to secure in place

8

Plug In Turn On



A: Connect power cord (in back)
B: Press power switch (on front) to turn on the machine

Need more help? Download the full manual or contact us

LD5500, LD7500



Quick Start Guide



4270 Airborn Dr. Addison, TX 75001, USA
 972.248.1999 | tech@startinternational.com

➔ startinternational.com