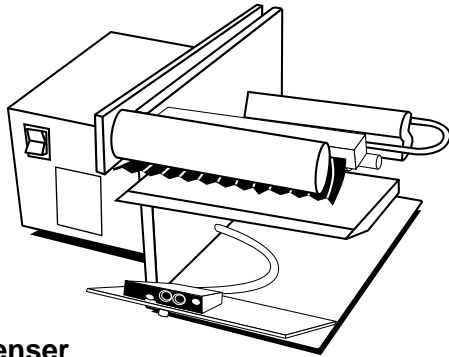


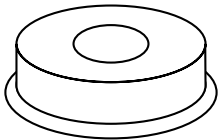
# LD5000, LD5100, LD7000

## Electric Label Dispenser

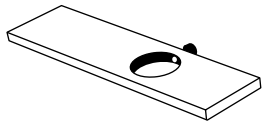
### ITEMS INCLUDED



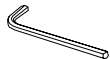
Dispenser



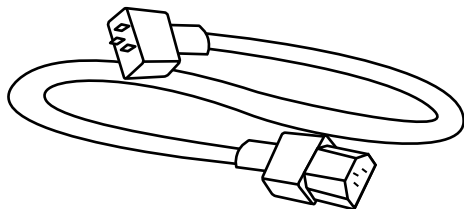
Core Holders (2)



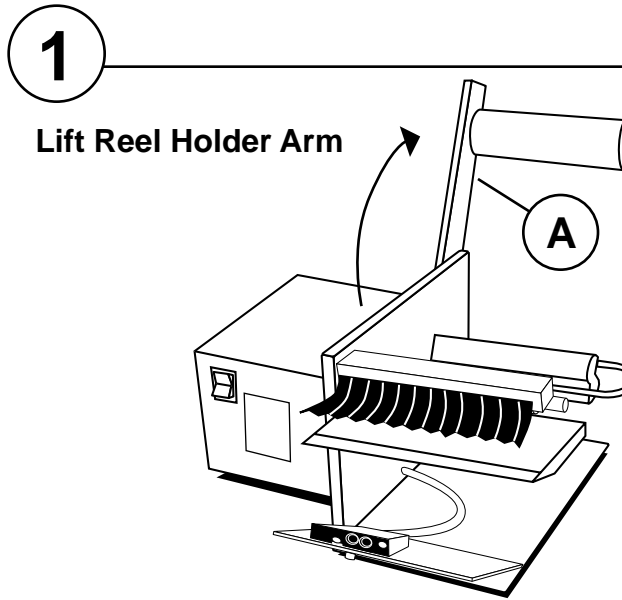
Material Guide



Hex Wrench

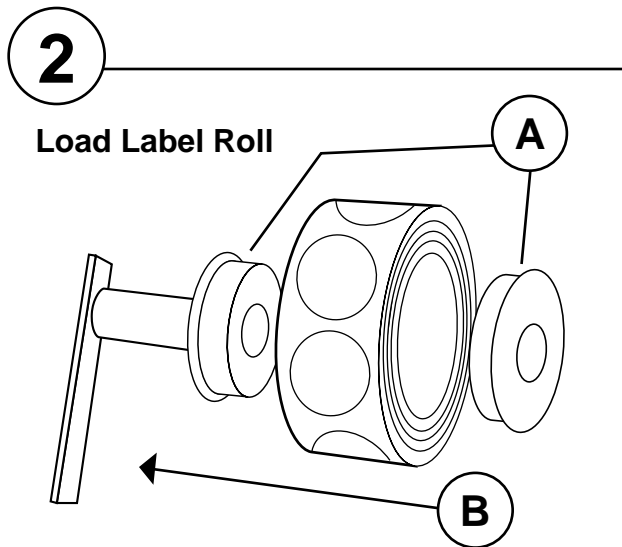


Power Cord



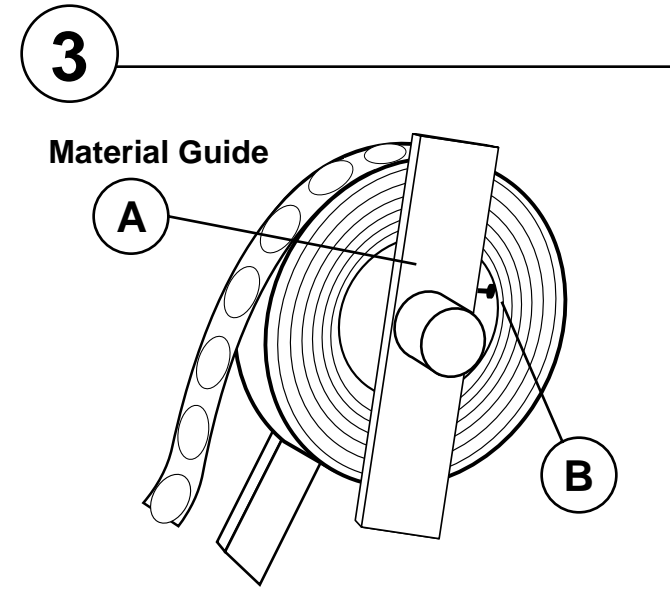
1 Lift Reel Holder Arm

A: Lift reel holder arm slightly past 90° angle and lock into position using provided hex wrench



2 Load Label Roll

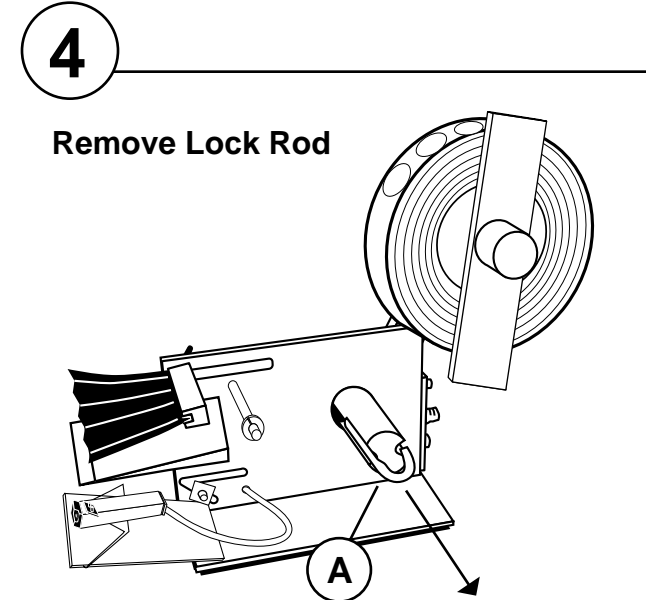
A: Insert core holders (2) into each side of your label roll  
B: Slide loaded roll onto the reel hanger bar



3 Material Guide

A: Slide material guide onto reel hanger bar to secure your label roll

B: Tighten lightly using tension screw

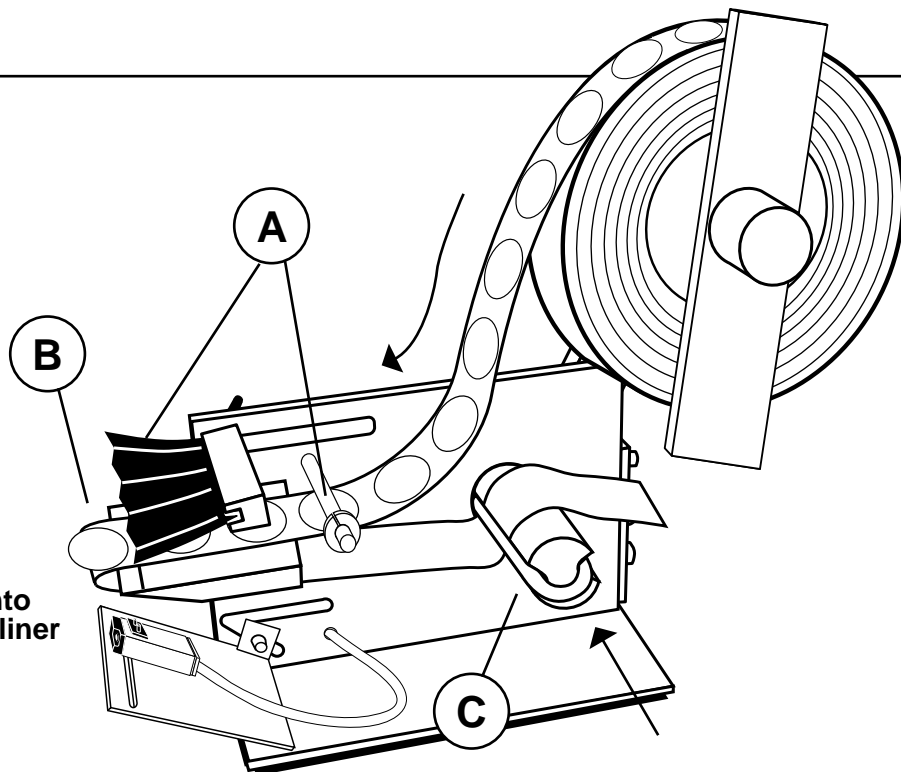


4 Remove Lock Rod

A: Slide lock rod off of take-up hub

5

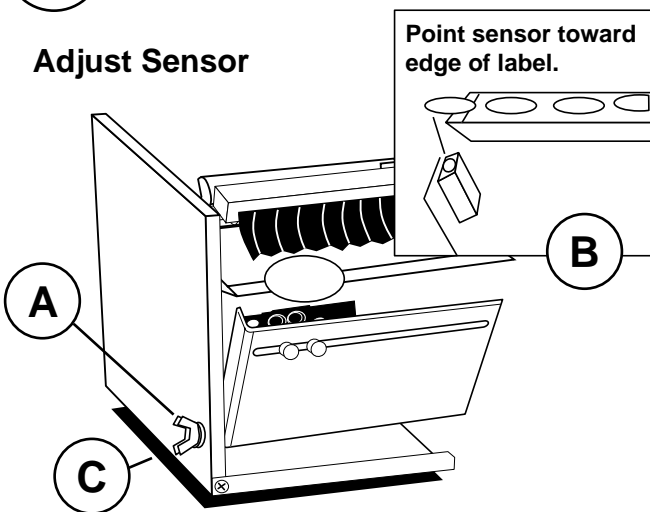
Load Dispenser



- A:** Feed label liner under guide rod and brush
- B:** Bend liner around strip plate (label will hang slightly over edge for lifting)
- C:** Slide lock rod back onto take-up hub to secure liner

6

Adjust Sensor

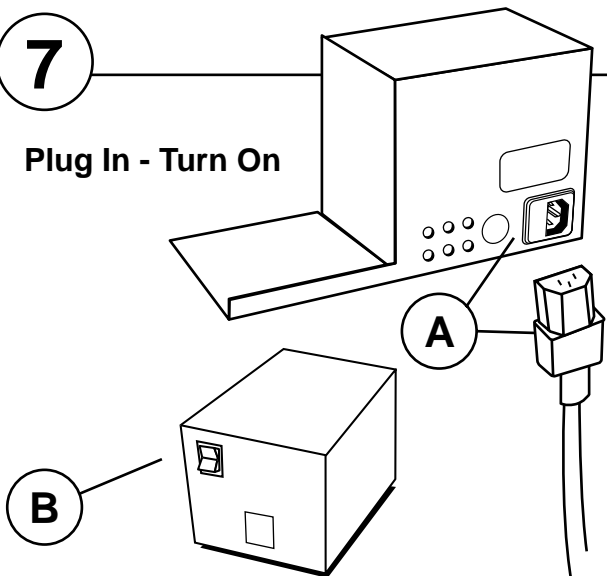


Point sensor toward edge of label.

- A:** Loosen wingscrew to adjust sensor plate
- B:** Point sensor towards edge of label
- C:** Tighten wingscrew to secure in place

7

Plug In - Turn On



- A:** Connect power cord (in back)
- B:** Press power switch (on front) to turn on the machine

Need more help? Download the full manual or contact us

LD5000, LD5100, LD7000



Quick Start Guide



4270 Airborn Dr. Addison, TX 75001, USA  
972.248.1999 | tech@startinternational.com

startinternational.com